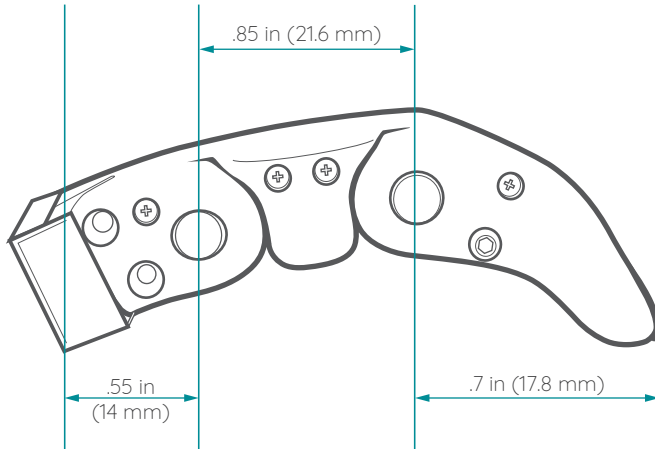


Pediatric M-Finger

Size Guide

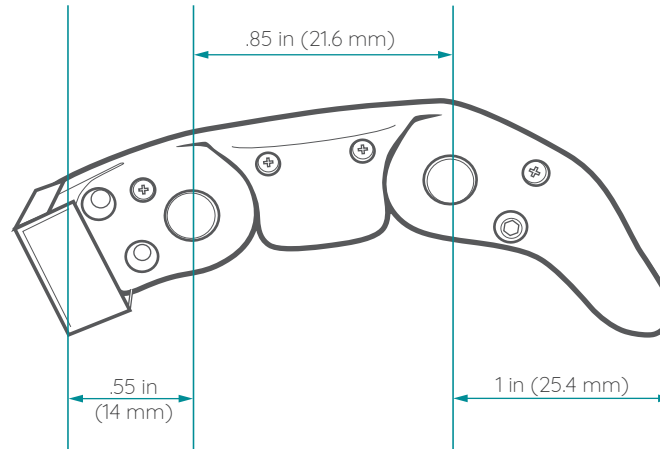
Small Pediatric M-Finger

Total 2.05 in (52.07 mm)



Medium Pediatric M-Finger

Total 2.4 in (61 mm)



Large Pediatric M-Finger

Total 2.65 in (67.3 mm)

